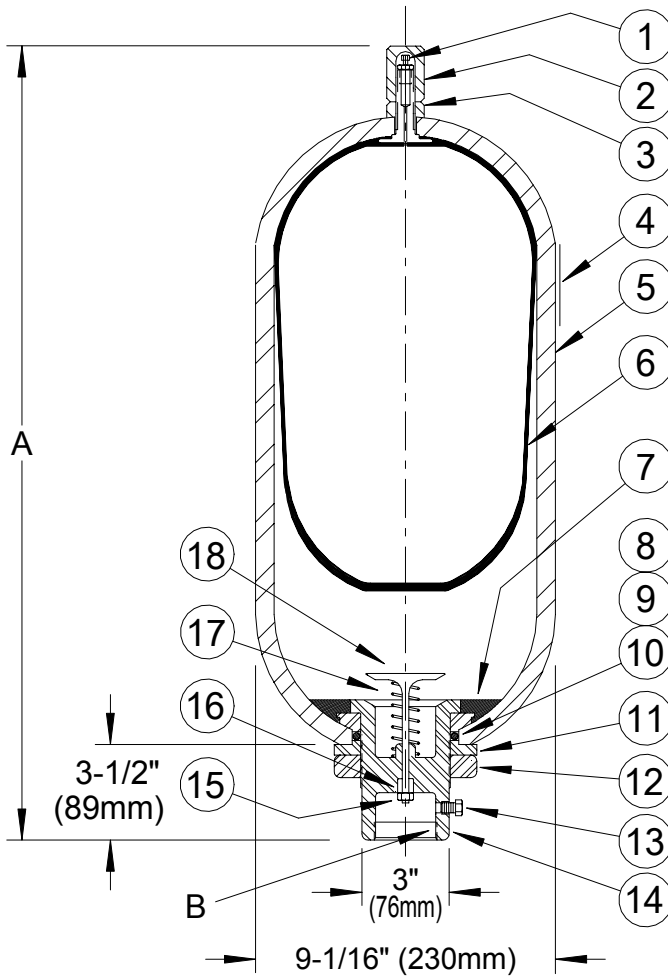


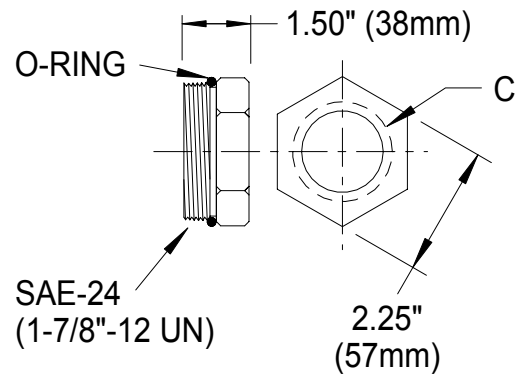
TOBUL TBR30 BLADDER ACCUMULATORS 3,000 PSI (207 Bar)

MODEL NUMBER	GAS CAPACITY		FLUID CAPACITY		DRY WEIGHT		DIMENSION		SAE-24 or 2" NPT available as standard. To specify 2" NPT - add "P" to end of Accumulator Model Number
	In. ³	Cm. ³	Gallons	Liters	Lbs.	Kg.	A		
							In.	mm.	
TBR30-2.5-*	600	9,832	2.5	10	80	36	21	533	
TBR30-5-*	1,203	19,714	5	19	120	54	33-1/4	845	
TBR30-10-*	2,259	37,018	10	38	220	100	54	1,372	
TBR30-11-*	2,535	41,541	11	42	240	109	59-1/2	1,511	
TBR30-15-*	3,440	56,372	15	57	305	138	77-1/2	1,969	

* = BLADDER MATERIAL SUFFIX N = BUNA-N B = BUTYL H = EPR E = VITON



OIL PORT ADAPTORS



PART NO.	"C"
TB-100-01	1/4" NPT
TB-100-02	3/8" NPT
TB-100-03	1/2" NPT
TB-100-04	3/4" NPT
TB-100-05	1" NPT
TB-100-06	SAE-5 (1/2-20)
TB-100-07	SAE-6 (9/16-18)
TB-100-08	SAE-8 (3/4-16)
TB-100-09	SAE-10 (7/8-14)
TB-100-10	SAE-12 (1-1/16-12)
TB-100-11	SAE-14 (1-3/16-12)
TB-100-12	SAE-16 (1-5/16-12)

METRIC AND SPECIAL SIZE ADAPTORS AVAILABLE

GENERAL DESIGN DATA

MAXIMUM WORKING PRESSURE	3,000 PSI	(207 Bar)
MAXIMUM PROOF PRESSURE.....	4,500 PSI	(310 Bar)
MINIMUM BURST PRESSURE.....	12,000 PSI	(827 Bar)
OPERATING TEMPERATURE (Buna/Nitrile).....	-20° TO +200° F	(-28° to 93° C)

BLADDER FOR PETROLEUM BASE OIL. SHELL ASME "U" STAMPED. APPENDIX 22 MAWP 4,000 PSI (276 Bar)
INTERCHANGEABLE WITH MOST OTHER BRANDS.

FOR PARTS LIST SEE REVERSE SIDE

TOBUL ACCUMULATOR, INC.

BAMBERG, S.C. 29003
U.S.A.

TBR30 R0P1

TOBUL TBR30 BLADDER ACCUMULATORS 3,000 PSI (207 Bar)

ITEM NO.	PART NO.	NAME OF PART	NO. REQ'D
1	3A-282	S.S. Valve - Gas	1
2	TB-210	Guard - Gas Valve	1
3	TB-220	Lock Nut - Adaptor	1
4	TB-550	Nameplate	1
5	See Chart Below	Shell	1
6	See Chart Below	Bladder	1
7	TB-925*	Ring - Anti Extrusion	1
8	TB-125M	Ring - Back Up (Stainless Steel)	1
9	40-6N312	Ring - Valve Body Seal	1
10	TB-125T	Ring - Back Up	1
11	TB-975	Spacer - Oil Port	1
12	TB-850	Lock Ring - Oil Port	1
13	TB-875	Plug - Bleeder	1
14	TB-950	Oil Port Body	1
15	TB-705	S.S. Lock Nut - Poppet	1
16	TB-750	S.S. Piston - Poppet	1
17	TB-150	S.S. Spring - Poppet	1
18	TB-205	S.S. Valve - Poppet	1

* = BLADDER MATERIAL SUFFIX N = BUNA-N B = BUTYL H = EPR E = VITON

COMPLETE REPAIR KIT INCLUDES: (1) BLADDER (1) GAS VALVE AND O-RING
(1) POPPET VALVE O-RING (1) O-RING BACK UP

PART NO. (BUNA-N)	PART NO. (BUTYL)	PART NO. (EPR)	PART NO. (VITON)
RB30-2.5-NT	RB30-2.5-BT	RB30-2.5-HT	RB30-2.5-ET
RB30-5-NT	RB30-5-BT	RB30-5-HT	RB30-5-ET
RB30-10-NT	RB30-10-BT	RB30-10-HT	RB30-10-ET
RB30-11-NT	RB30-11-BT	RB30-11-HT	RB30-11-ET
RB30-15-NT	RB30-15-BT	RB30-15-HT	RB30-15-ET

SHELL ONLY

MODEL	CAPACITY		PART NO.
TBR30-2.5	2.5 Gallon	10 L	TB-100
TBR30-5	5 Gallon	20 L	TB-200
TBR30-10	10 Gallon	38 L	TB-300
TBR30-11	11 Gallon	42 L	TB-400
TBR30-15	15 Gallon	57 L	TB-500

TOBUL ACCUMULATOR, INC.
BAMBERG, S.C. 29003
U.S.A.

TBR30 R0P2