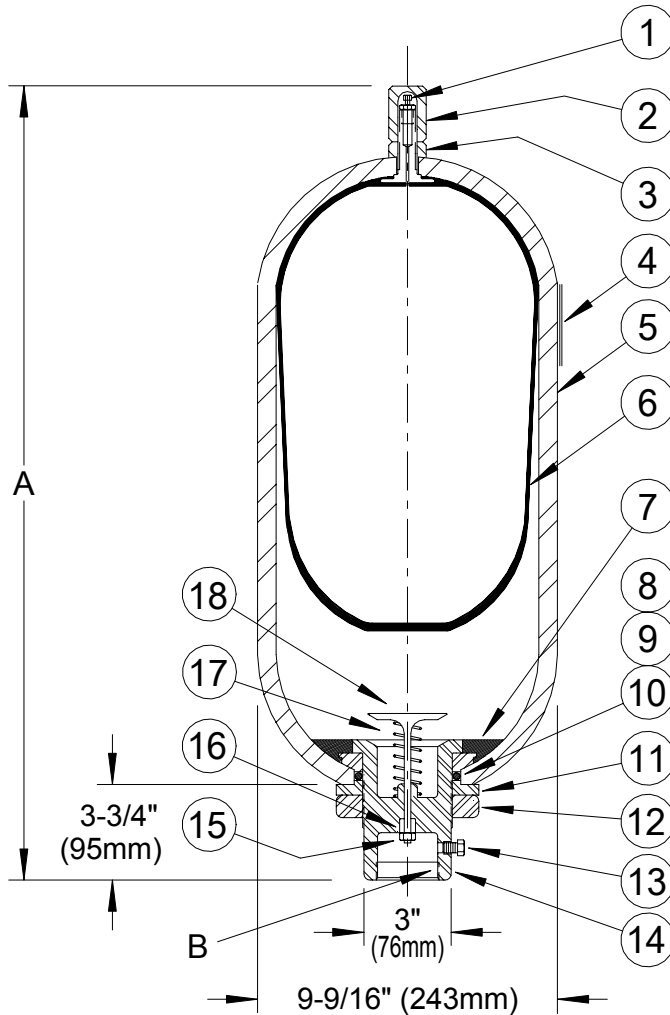


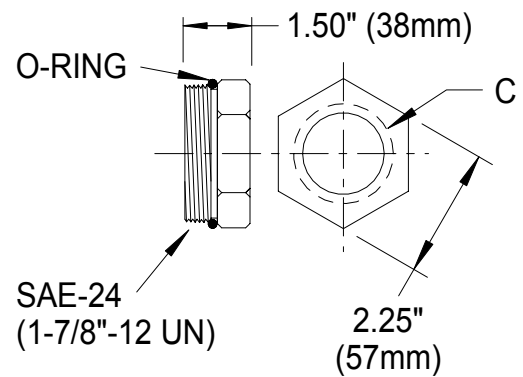
# TOBUL TBR50 BLADDER ACCUMULATORS 5,000 PSI (345 Bar)

MODEL NUMBER	GAS CAPACITY		FLUID CAPACITY		DRY WEIGHT		DIMENSION		
	In. <sup>3</sup>	Cm. <sup>3</sup>	Gallons	Liters	Lbs.	Kg.	A		B
							In.	mm.	
TBR50-2.5-*	577	9,454	2.5	10	120	54	21-1/2	546	SAE-24 or 2" NPT available as standard. To specify 2" NPT - add "P" to end of Accumulator Model Number
TBR50-5-*	1,151	18,858	5	20	220	100	33-3/4	857	
TBR50-10-*	2,142	35,095	10	40	335	152	54-1/2	1,384	
TBR50-15-*	3,260	53,413	15	60	485	220	78	1,981	

\* = BLADDER MATERIAL SUFFIX N = BUNA-N B = BUTYL H = EPR E = VITON



## OIL PORT ADAPTORS



PART NO.	"C"
TB-100-01	1/4" NPT
TB-100-02	3/8" NPT
TB-100-03	1/2" NPT
TB-100-04	3/4" NPT
TB-100-05	1" NPT
TB-100-06	SAE-5 (1/2-20)
TB-100-07	SAE-6 (9/16-18)
TB-100-08	SAE-8 (3/4-16)
TB-100-09	SAE-10 (7/8-14)
TB-100-10	SAE-12 (1-1/16-12)
TB-100-11	SAE-14 (1-3/16-12)
TB-100-12	SAE-16 (1-5/16-12)

METRIC AND SPECIAL SIZE ADAPTORS AVAILABLE

## GENERAL DESIGN DATA

MAXIMUM WORKING PRESSURE .....	5,000 PSI	(345 Bar)
MAXIMUM PROOF PRESSURE.....	7,500 PSI	(517 Bar)
MINIMUM BURST PRESSURE.....	20,000 PSI	(1379 Bar)
OPERATING TEMPERATURE (Buna/Nitrile).....	-20° TO +200° F	(-28° to 93° C)

BLADDER FOR PETROLEUM BASE OIL. SHELL ASME "U" STAMPED. APPENDIX 22 MAWP 6,000 PSI (414 Bar)  
 INTERCHANGEABLE WITH MOST OTHER BRANDS.

FOR PARTS LIST SEE REVERSE SIDE

# TOBUL ACCUMULATOR, INC.

BAMBERG, S.C. 29003  
 U.S.A.

TBR50 R0P1

# TOBUL TBR50 BLADDER ACCUMULATORS 5,000 PSI (345 Bar)

ITEM NO.	PART NO.	NAME OF PART	NO. REQ'D
1	3A-285H	S.S. Valve - Gas	1
2	TB50-210	Guard - Gas Valve	1
3	TB50-220	Lock Nut - Adaptor	1
4	TB-550	Nameplate	1
5	See Chart Below	Shell	1
6	See Chart Below	Bladder	1
7	TB-925-*	Ring - Anti Extrusion	1
8	TB-125M	Ring - Back Up (Stainless Steel)	1
9	40-6N312	Ring - Valve Body Seal	1
10	TB-125T	Ring - Back Up	1
11	TB50-975	Spacer - Oil Port	1
12	TB-850	Lock Ring - Oil Port	1
13	TB-875	Plug - Bleeder	1
14	TB50-950	Oil Port Body	1
15	TB-705	S.S. Lock Nut - Poppet	1
16	TB-750	S.S. Piston - Poppet	1
17	TB-150	S.S. Spring - Poppet	1
18	TB-205	S.S. Valve - Poppet	1

\* = BLADDER MATERIAL SUFFIX N = BUNA-N B = BUTYL H = EPR E = VITON

**COMPLETE REPAIR KIT** INCLUDES: (1) BLADDER (1) GAS VALVE AND O-RING  
(1) POPPET VALVE O-RING (1) O-RING BACK UP

PART NO. (BUNA-N)	PART NO. (BUTYL)	PART NO. (EPR)	PART NO. (VITON)
RB50-2.5-NT	RB50-2.5-BT	RB50-2.5-HT	RB50-2.5-ET
RB50-5-NT	RB50-5-BT	RB50-5-HT	RB50-5-ET
RB50-10-NT	RB50-10-BT	RB50-10-HT	RB50-10-ET
RB50-15-NT	RB50-15-BT	RB50-15-HT	RB50-15-ET

## REPLACEMENT BLADDERS WITHOUT GAS VALVES

PART NO.	CAPACITY	
RB50-2.5-*	2.5 Gallon	10 L
RB50-5-*	5 Gallon	20 L
RB50-10-*	10 Gallon	40 L
RB50-15-*	15 Gallon	60 L

## SHELL ONLY

MODEL	CAPACITY		PART NO.
TBR50-2.5	2.5 Gallon	10 L	TB50-100
TBR50-5	5 Gallon	20 L	TB50-200
TBR50-10	10 Gallon	40 L	TB50-300
TBR50-15	15 Gallon	60 L	TB50-500

# TOBUL ACCUMULATOR, INC.

BAMBERG, S.C. 29003  
U.S.A.

TBR50 R0P2